

C

A P P E N D I X

Mapping Control to Hardware

A custom format such as this is slave to the architecture of the hardware and the instruction set it serves. The format must strike a proper compromise between ROM size, ROM-output decoding, circuitry size, and machine execution rate.

Jim McKeiv et al.
8086 design report, 1977

C.1	Introduction	C-3
C.2	Implementing Combinational Control Units	C-4
C.3	Implementing Finite State Machine Control	C-8
C.4	Implementing the Next-State Function with a Sequencer	C-21
C.5	Translating a Microprogram to Hardware	C-27
C.6	Concluding Remarks	C-31
C.7	Exercises	C-32

C.1 Introduction

Control typically has two parts: a combinational part that lacks state and a sequential control unit that handles sequencing and the main control in a multicycle design. Combinational control units are often used to handle part of the decode and control process. The ALU control in Chapter 5 is such an example. A single-cycle implementation like that in Chapter 5 can also use a combinational controller, since it does not require multiple states. Section C.2 examines the implementation of these two combinational units from the truth tables of Chapter 5.

Since sequential control units are larger and often more complex, there are a wider variety of techniques for implementing a sequential control unit. The usefulness of these techniques depends on the complexity of the control, characteristics such as the average number of next states for any given state, and the implementation technology.

The most straightforward way to implement a sequential control function is with a block of logic that takes as inputs the current state and the opcode field of the Instruction register and produces as outputs the datapath control signals and the value of the next state. The initial representation may be either a finite state

diagram or a microprogram. In the latter case, each microinstruction represents a state. In an implementation using a finite state controller, the next-state function will be computed with logic. Section C.3 constructs such an implementation both for a ROM and a PLA.

An alternative method of implementation computes the next-state function by using a counter that increments the current state to determine the next state. When the next state doesn't follow sequentially, other logic is used to determine the state. Section C.4 explores this type of implementation and shows how it can be used for the finite state control created in Chapter 5.

In Section C.5, we show how a microprogram representation of sequential control is translated to control logic.

C.2

Implementing Combinational Control Units

In this section, we show how the ALU control unit and main control unit for the single clock design are mapped down to the gate level. With modern CAD systems this process is completely mechanical. The examples illustrate how a CAD system takes advantage of the structure of the control function, including the presence of don't-care terms.

Mapping the ALU Control Function to Gates

Figure C.2.1 shows the truth table for the ALU control function that was developed in Section 5.3. A logic block that implements this ALU control function will have three distinct outputs (called Operation2, Operation1, and Operation0), each corresponding to one of the three bits of the ALU control in the last column of Figure C.2.1. The logic function for each output is constructed by combining all the truth table entries that set that particular output. For example, the low-order bit of the ALU control (Operation0) is set by the last two entries of the truth table in Figure C.2.1. Thus the truth table for Operation0 will have these two entries.

Figure C.2.2 shows the truth tables for each of the three ALU control bits. We have taken advantage of the common structure in each truth table to incorporate additional don't cares. For example, the five lines in the truth table of Figure C.2.1 that set Operation1 are reduced to just two entries in Figure C.2.2. A logic minimization program will use the don't-care terms to reduce the number of gates and the number of inputs to each gate in a logic gate realization of these truth tables.

From the simplified truth table in Figure C.2.2, we can generate the logic shown in Figure C.2.3, which we call the *ALU control block*. This process is

ALUOp		Funct field						Operation
ALUOp1	ALUOp0	F5	F4	F3	F2	F1	F0	
0	0	X	X	X	X	X	X	010
X	1	X	X	X	X	X	X	110
1	X	X	X	0	0	0	0	010
1	X	X	X	0	0	1	0	110
1	X	X	X	0	1	0	0	000
1	X	X	X	0	1	0	1	001
1	X	X	X	1	0	1	0	111

FIGURE C.2.1 The truth table for the three ALU control bits (called Operation) as a function of the ALUOp and function code field. This table is the same as that shown Figure 5.13.

ALUOp		Function code fields					
ALUOp1	ALUOp0	F5	F4	F3	F2	F1	F0
X	1	X	X	X	X	X	X
1	X	X	X	X	X	1	X

a. The truth table for Operation2 = 1 (this table corresponds to the left bit of the Operation field in Figure C.2.1)

ALUOp		Function code fields					
ALUOp1	ALUOp0	F5	F4	F3	F2	F1	F0
0	X	X	X	X	X	X	X
X	X	X	X	X	0	X	X

b. The truth table for Operation1 = 1

ALUOp		Function code fields					
ALUOp1	ALUOp0	F5	F4	F3	F2	F1	F0
1	X	X	X	X	X	X	1
1	X	X	X	1	X	X	X

c. The truth table for Operation0 = 1

FIGURE C.2.2 The truth tables for the three ALU control lines. Only the entries for which the output is 1 are shown. The bits in each field are numbered from right to left starting with 0; thus F5 is the most significant bit of the function field, and F0 is the least significant bit. Similarly, the names of the signals corresponding to the 3-bit operation code supplied to the ALU are Operation2, Operation1, and Operation0 (with the last being the least significant bit). Thus the truth table above shows the input combinations for which the ALU control should be 010, 001, 110, or 111 (the combinations 011, 100, and 101 are not used). The ALUOp bits are named ALUOp1 and ALUOp0. The three output values depend on the 2-bit ALUOp field and, when that field is equal to 10, the 6-bit function code in the instruction. Accordingly, when the ALUOp field is not equal to 10, we don't care about the function code value (it is represented by an X). See [Appendix B](#) for more background on don't cares.

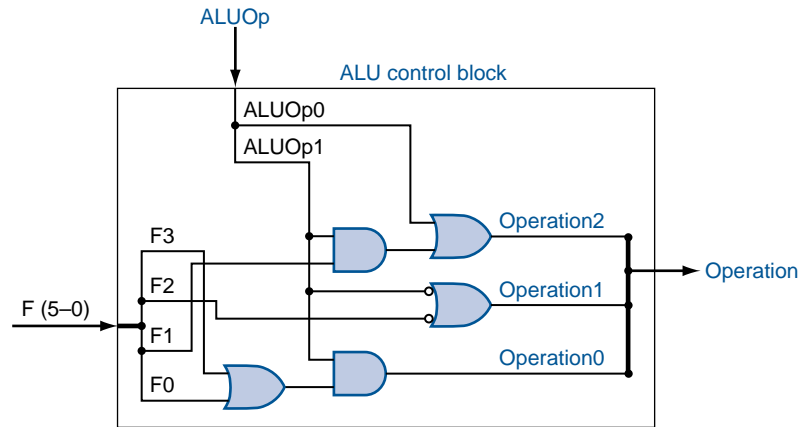


FIGURE C.2.3 The ALU control block generates the three ALU control bits, based on the function code and ALUOp bits. This logic is generated directly from the truth table in Figure C.2.2. Only 4 of the 6 bits in the function code are actually needed as inputs, since the upper 2 bits are always don't cares. Let's examine how this logic relates to the truth table of Figure C.2.2. Consider the Operation2 output, which is generated by two lines in the truth table for Operation2. The second line is the AND of two terms ($F1 = 1$ and $ALUOp1 = 1$); the top two-input AND gate corresponds to this term. The other term that causes Operation2 to be asserted is simply ALUOp0. These two terms are combined with an OR gate whose output is Operation2. The outputs Operation0 and Operation1 are derived in similar fashion from the truth table.

straightforward and can be done with a computer-aided design (CAD) program. An example of how the logic gates can be derived from the truth tables is given in the legend to Figure C.2.3.

This ALU control logic is simple because there are only three outputs, and only a few of the possible input combinations need to be recognized. If a large number of possible ALU function codes had to be transformed into ALU control signals, this simple method would not be efficient. Instead, you could use a decoder, a memory, or a structured array of logic gates. These techniques are described in Appendix B, and we will see examples when we examine the implementation of the multicycle controller in Section C.3.

Elaboration: In general, a logic equation and truth table representation of a logic function are equivalent. (We discuss this in further detail in Appendix B.) However, when a truth table only specifies the entries that result in nonzero outputs, it may not completely describe the logic function. A full truth table completely indicates all don't-care entries. For example, the encoding 11 for ALUOp always generates a don't care in the output. Thus a complete truth table would have XXX in the output portion for all entries

with 11 in the ALUOp field. These don't-care entries allow us to replace the ALUOp field 10 and 01 with 1X and X1, respectively. Incorporating the don't-care terms and minimizing the logic is both complex and error-prone and, thus, is better left to a program.

Mapping the Main Control Function to Gates

Implementing the main control function with an unstructured collection of gates, as we did for the ALU control, is reasonable because the control function is neither complex nor large, as we can see from the truth table shown in Figure C.2.4. However, if most of the 64 possible opcodes were used and there were many more control lines, the number of gates would be much larger and each gate could have many more inputs.

Since any function can be computed in two levels of logic, another way to implement a logic function is with a structured two-level logic array. Figure C.2.5 shows such an implementation. It uses an array of AND gates followed by an array of OR gates. This structure is called a *programmable logic array* (PLA). A PLA is one of the most common ways to implement a control function. We will return to the topic of using structured logic elements to implement control when we implement the finite state controller in the next section.

Control	Signal name	R-format	lw	sw	beq
Inputs	Op5	0	1	1	0
	Op4	0	0	0	0
	Op3	0	0	1	0
	Op2	0	0	0	1
	Op1	0	1	1	0
	Op0	0	1	1	0
Outputs	RegDst	1	0	X	X
	ALUSrc	0	1	1	0
	MemtoReg	0	1	X	X
	RegWrite	1	1	0	0
	MemRead	0	1	0	0
	MemWrite	0	0	1	0
	Branch	0	0	0	1
	ALUOp1	1	0	0	0
ALUOp0	0	0	0	1	

FIGURE C.2.4 The control function for the simple one-clock implementation is completely specified by this truth table. This table is the same as that shown in Figure 5.22.

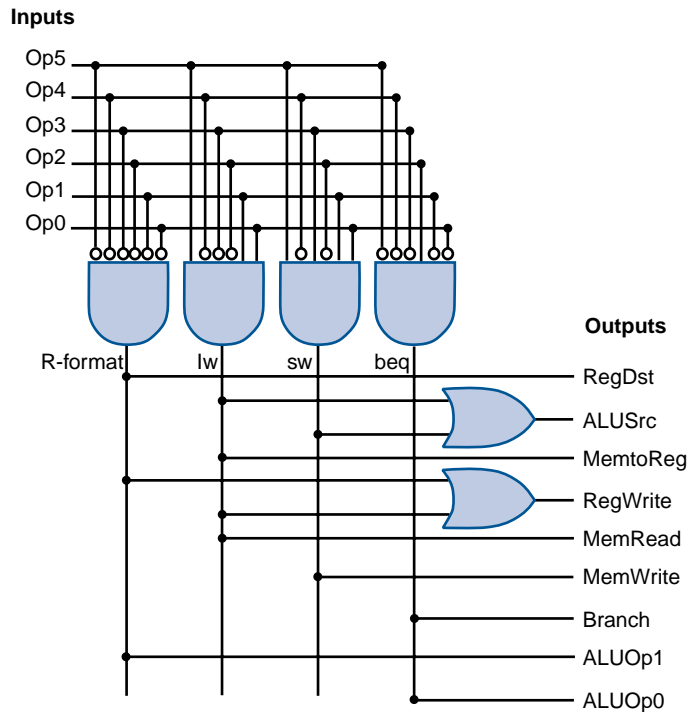


FIGURE C.2.5 The structured implementation of the control function as described by the truth table in Figure C.2.4. The structure, called a programmable logic array (PLA), uses an array of AND gates followed by an array of OR gates. The inputs to the AND gates are the function inputs and their inverses (bubbles indicate inversion of a signal). The inputs to the OR gates are the outputs of the AND gates (or, as a degenerate case, the function inputs and inverses). The output of the OR gates is the function outputs.

C.3 Implementing Finite State Machine Control

To implement the control as a finite state machine, we must first assign a number to each of the 10 states; any state could use any number, but we will use the sequential numbering for simplicity as we did in Chapter 5. (Figure C.3.1 is a copy of the finite state diagram from Figure 5.38 on page 339, reproduced for ease of access.) With 10 states we will need 4 bits to encode the state number, and we call these state bits: S3, S2, S1, S0. The current-state number will be stored in a state register, as shown in Figure C.3.2. If the states are assigned sequentially, state *i* is

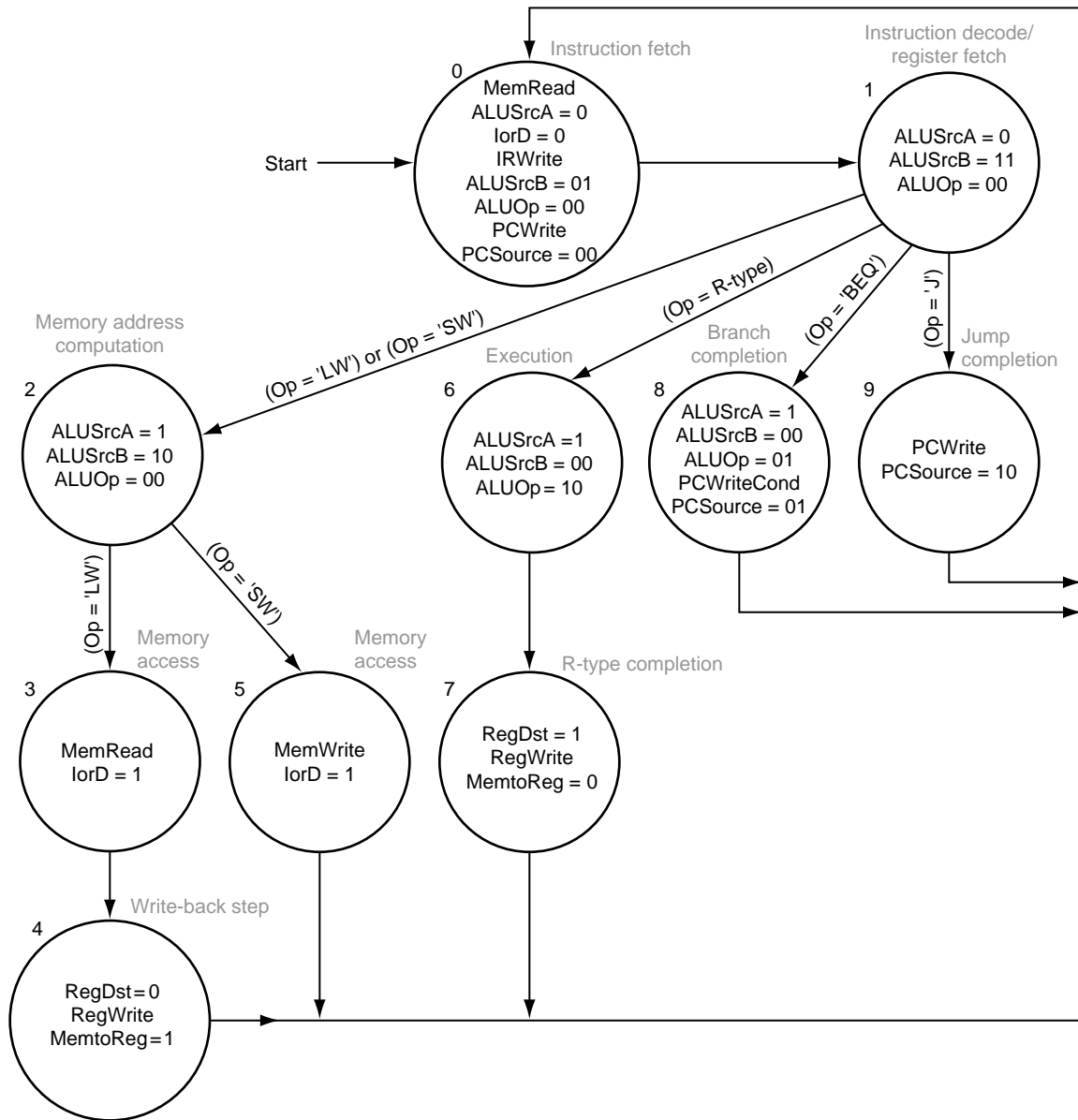


FIGURE C.3.1 The finite state diagram that was developed in Chapter 5; it is identical to Figure 5.37.

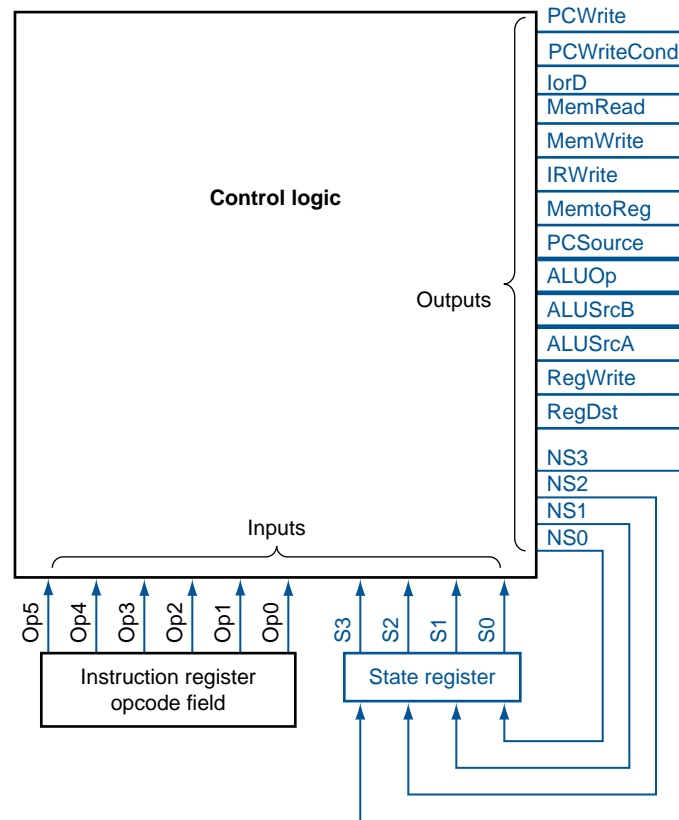


FIGURE C.3.2 The control unit for MIPS will consist of some control logic and a register to hold the state. The state register is written at the active clock edge and is stable during the clock cycle.

encoded using the state bits as the binary number i . For example, state 6 is encoded as 0110_{two} or $S3 = 0, S2 = 1, S1 = 1, S0 = 0$, which can also be written as

$$\bar{S}_3 \cdot S_2 \cdot S_1 \cdot \bar{S}_0$$

The control unit has outputs that specify the next state. These are written into the state register on the clock edge and become the new state at the beginning of the next clock cycle following the active clock edge. We name these outputs NS3, NS2, NS1, NS0. Once we have determined the number of inputs, states, and outputs, we know what the basic outline of the control unit will look like, as we show in Figure C.3.2.

The block labeled “control logic” in Figure C.3.2 is combinational logic. We can think of it as a big table giving the value of the outputs in terms of the inputs. The logic in this block implements the two different parts of the finite state machine. One part is the logic that determines the setting of the datapath control outputs, which depend only on the state bits. The other part of the control logic implements the next-state function; these equations determine the values of the next-state bits based on the current-state bits and the other inputs (the 6-bit opcode).

Figure C.3.3 shows the logic equations: the top portion showing the outputs, and the bottom portion showing the next-state function. The values in this table were determined from the state diagram in Figure C.3.1. Whenever a control line

Output	Current states	Op
PCWrite	state0 + state9	
PCWriteCond	state8	
lorD	state3 + state5	
MemRead	state0 + state3	
MemWrite	state5	
IRWrite	state0	
MemtoReg	state4	
PCSource1	state9	
PCSource0	state8	
ALUOp1	state6	
ALUOp0	state8	
ALUSrcB1	state1 + state2	
ALUSrcB0	state0 + state1	
ALUSrcA	state2 + state6 + state8	
RegWrite	state4 + state7	
RegDst	state7	
NextState0	state4 + state5 + state7 + state8 + state9	
NextState1	state0	
NextState2	state1	(Op = 'lw') + (Op = 'sw')
NextState3	state2	(Op = 'lw')
NextState4	state3	
NextState5	state2	(Op = 'sw')
NextState6	state1	(Op = 'R-type')
NextState7	state6	
NextState8	state1	(Op = 'beq')
NextState9	state1	(Op = 'jmp')

FIGURE C.3.3 The logic equations for the control unit shown in a shorthand form. Remember that “+” stands for OR in logic equations. The state inputs and NextState entries outputs must be expanded by using the state encoding. Any blank entry is a don’t care.

is active in a state, that state is entered in the second column of the table. Likewise, the next-state entries are made whenever one state is a successor to another.

In Figure C.3.3 we use the abbreviation $stateN$ to stand for current state N . Thus, $stateN$ is replaced by the term that encodes the state number N . We use $NextStateN$ to stand for the setting of the next-state outputs to N . This output is implemented using the next-state outputs (NS). When $NextStateN$ is active, the bits $NS[3-0]$ are set corresponding to the binary version of the value N . Of course, since a given next-state bit is activated in multiple next states, the equation for each state bit will be the OR of the terms that activate that signal. Likewise, when we use a term such as $(Op = 'lw')$, this corresponds to an AND of the opcode inputs that specifies the encoding of the opcode lw in 6 bits, just as we did for the simple control unit in the previous section of this chapter. Translating the entries in Figure C.3.3 into logic equations for the outputs is straightforward.

EXAMPLE

ANSWER

Logic Equations for Next-State Outputs

Give the logic equation for the low-order next-state bit, NS_0 .

The next-state bit NS_0 should be active whenever the next state has $NS_0 = 1$ in the state encoding. This is true for $NextState1$, $NextState3$, $NextState5$, $NextState7$, and $NextState9$. The entries for these states in Figure C.3.3 supply the conditions when these next-state values should be active. The equation for each of these next states is given below. The first equation states that the next state is 1 if the current state is 0; the current state is 0 if each of the state input bits is 0, which is what the rightmost product term indicates.

$$NextState1 = State0 = \overline{S_3} \cdot \overline{S_2} \cdot \overline{S_1} \cdot \overline{S_0}$$

$$\begin{aligned} NextState3 &= State2 \cdot (Op[5-0] = lw) \\ &= \overline{S_3} \cdot \overline{S_2} \cdot S_1 \cdot \overline{S_0} \cdot Op5 \cdot \overline{Op4} \cdot \overline{Op3} \cdot \overline{Op2} \cdot Op1 \cdot Op0 \end{aligned}$$

$$\begin{aligned} NextState5 &= State2 \cdot (Op[5-0] = sw) \\ &= \overline{S_3} \cdot \overline{S_2} \cdot S_1 \cdot \overline{S_0} \cdot Op5 \cdot \overline{Op4} \cdot Op3 \cdot \overline{Op2} \cdot Op1 \cdot Op0 \end{aligned}$$

$$NextState7 = State6 = \overline{S_3} \cdot S_2 \cdot S_1 \cdot \overline{S_0}$$

$$\begin{aligned} NextState9 &= State1 \cdot (Op[5-0] = jmp) \\ &= \overline{S_3} \cdot \overline{S_2} \cdot \overline{S_1} \cdot S_0 \cdot \overline{Op5} \cdot \overline{Op4} \cdot \overline{Op3} \cdot \overline{Op2} \cdot Op1 \cdot \overline{Op0} \end{aligned}$$

NS_0 is the logical sum of all these terms.

As we have seen, the control function can be expressed as a logic equation for each output. This set of logic equations can be implemented in two ways: corresponding to a complete truth table, or corresponding to a two-level logic structure that allows a sparse encoding of the truth table. Before we look at these implementations, let's look at the truth table for the complete control function.

It is simplest if we break the control function defined in Figure C.3.3 into two parts: the next-state outputs, which may depend on all the inputs, and the control signal outputs, which depend only on the current-state bits. Figure C.3.4 shows the truth tables for all the datapath control signals. Because these signals actually depend only on the state bits (and not the opcode), each of the entries in a table in Figure C.3.4 actually represents 64 ($= 2^6$) entries, with the 6 bits named Op having all possible values; that is, the Op bits are don't-care bits in determining the datapath control outputs. Figure C.3.5 shows the truth table for the next-state bits NS[3–0], which depend on the state input bits and the instruction bits, which supply the opcode.

Elaboration: There are many opportunities to simplify the control function by observing similarities among two or more control signals and by using the semantics of the implementation. For example, the signals PCWriteCond, PCSource0, and ALUOp0 are all asserted in exactly one state, state 8. These three control signals can be replaced by a single signal.

A ROM Implementation

Probably the simplest way to implement the control function is to encode the truth tables in a read-only memory (ROM). The number of entries in the memory for the truth tables of Figures C.3.4 and C.3.5 is equal to all possible values of the inputs (the 6 opcode bits plus the 4 state bits), which is $2^{\# \text{ inputs}} = 2^{10} = 1024$. The inputs to the control unit become the address lines for the ROM, which implements the control logic block that was shown in Figure C.3.2 on page C-10. The width of each entry (or word in the memory) is 20 bits since there are 16 datapath control outputs and 4 next-state bits. This means the total size of the ROM is $2^{10} \times 20 = 20$ Kbits.

The setting of the bits in a word in the ROM depends on which outputs are active in that word. Before we look at the control words, we need to order the bits within the control input (the address) and output words (the contents), respectively. We will number the bits using the order in Figure C.3.2 on page C-10, with the next-state bits being the low-order bits of the control *word* and the current-state input bits being the low-order bits of the *address*. This means that the PCWrite output will be the high-order bit (bit 19) of each memory word, and NS0 will be the low-order bit. The high-order address bit will be given by Op5, which

s3	s2	s1	s0
0	0	0	0
1	0	0	1

a. Truth table for PCWrite

s3	s2	s1	s0
1	0	0	0

b. Truth table for PCWriteCond

s3	s2	s1	s0
0	0	1	1
0	1	0	1

c. Truth table for IorD

s3	s2	s1	s0
0	0	0	0
0	0	1	1

d. Truth table for MemRead

s3	s2	s1	s0
0	1	0	1

e. Truth table for MemWrite

s3	s2	s1	s0
0	0	0	0

f. Truth table for IRWrite

s3	s2	s1	s0
0	1	0	0

g. Truth table for MemtoReg

s3	s2	s1	s0
1	0	0	1

h. Truth table for PCSrc0

s3	s2	s1	s0
1	0	0	0

i. Truth table for PCSrc0

s3	s2	s1	s0
0	1	1	0

j. Truth table for ALUOp1

s3	s2	s1	s0
1	0	0	0

k. Truth table for ALUOp0

s3	s2	s1	s0
0	0	0	1
0	0	1	0

l. Truth table for ALUSrcB1

s3	s2	s1	s0
0	0	0	0
0	0	0	1

m. Truth table for ALUSrcB0

s3	s2	s1	s0
0	0	1	0
0	1	1	0
1	0	0	0

n. Truth table for ALUSrcA

s3	s2	s1	s0
0	1	0	0
0	1	1	1

o. Truth table for RegWrite

s3	s2	s1	s0
0	1	1	1

p. Truth table for RegDst

FIGURE C.3.4 The truth tables are shown for the 16 datapath control signals that depend only on the current-state input bits, which are shown for each table. Each truth table row corresponds to 64 entries: one for each possible value of the 6 Op bits. Notice that some of the outputs are active under nearly the same circumstances. For example, in the case of PCWriteCond, PCSrc0, and ALUOp0, these signals are active only in state 8 (see b, i, and k). These three signals could be replaced by one signal. There are other opportunities for reducing the logic needed to implement the control function by taking advantage of further similarities in the truth tables.

Op5	Op4	Op3	Op2	Op1	Op0	S3	S2	S1	S0
0	0	0	0	1	0	0	0	0	1
0	0	0	1	0	0	0	0	0	1

a. The truth table for the NS3 output, active when the next state is 8 or 9. This signal is activated when the current state is 1.

Op5	Op4	Op3	Op2	Op1	Op0	S3	S2	S1	S0
0	0	0	0	0	0	0	0	0	1
1	0	1	0	1	1	0	0	1	0
X	X	X	X	X	X	0	0	1	1
X	X	X	X	X	X	0	1	1	0

b. The truth table for the NS2 output, which is active when the next state is 4, 5, 6, or 7. This situation occurs when the current state is one of 1, 2, 3, or 6.

Op5	Op4	Op3	Op2	Op1	Op0	S3	S2	S1	S0
0	0	0	0	0	0	0	0	0	1
1	0	0	0	1	1	0	0	0	1
1	0	1	0	1	1	0	0	0	1
1	0	0	0	1	1	0	0	1	0
X	X	X	X	X	X	0	1	1	0

c. The truth table for the NS1 output, which is active when the next state is 2, 3, 6, or 7. The next state is one of 2, 3, 6, or 7 only if the current state is one of 1, 2, or 6.

Op5	Op4	Op3	Op2	Op1	Op0	S3	S2	S1	S0
X	X	X	X	X	X	0	0	0	0
1	0	0	0	1	1	0	0	1	0
1	0	1	0	1	1	0	0	1	0
X	X	X	X	X	X	0	1	1	0
0	0	0	0	1	0	0	0	0	1

d. The truth table for the NS0 output, which is active when the next state is 1, 3, 5, 7, or 9. This happens only if the current state is one of 0, 1, 2, or 6.

FIGURE C.3.5 The four truth tables for the four next-state output bits (NS[3–0]). The next-state outputs depend on the value of Op[5–0], which is the opcode field, and the current state, given by S[3–0]. The entries with X are don't-care terms. Each entry with a don't-care term corresponds to two entries, one with that input at 0 and one with that input at 1. Thus an entry with n don't-care terms actually corresponds to 2^n truth table entries.

is the high-order bit of the instruction, and the low-order address bit will be given by S0.

We can construct the ROM contents by building the entire truth table in a form where each row corresponds to one of the 2^n unique input combinations, and a set

of columns indicate which outputs are active for that input combination. We don't have the space here to show all 1024 entries in the truth table. However, by separating the datapath control and next-state outputs, we do, since the datapath control outputs depend only on the current state. The truth table for the datapath control outputs is shown in Figure C.3.6. We include only the encodings of the state inputs that are in use (that is, values 0 through 9 corresponding to the 10 states of the state machine).

The truth table in Figure C.3.6 directly gives the contents of the upper 16 bits of each word in the ROM. The 4-bit input field gives the low-order four address bits of each word, and the column gives the contents of the word at that address.

If we did show a full truth table for the datapath control bits with both the state number and the opcode bits as inputs, the opcode inputs would all be don't cares. When we construct the ROM, we cannot have any don't cares, since the addresses into the ROM must be complete. Thus, the same datapath control outputs will occur many times in the ROM, since this part of the ROM is the same whenever the state bits are identical, independent of the value of the opcode inputs.

Outputs	Input values (S[3-0])									
	0000	0001	0010	0011	0100	0101	0110	0111	1000	1001
PCWrite	1	0	0	0	0	0	0	0	0	1
PCWriteCond	0	0	0	0	0	0	0	0	1	0
IorD	0	0	0	1	0	1	0	0	0	0
MemRead	1	0	0	1	0	0	0	0	0	0
MemWrite	0	0	0	0	0	1	0	0	0	0
IRWrite	1	0	0	0	0	0	0	0	0	0
MemtoReg	0	0	0	0	1	0	0	0	0	0
PCSource1	0	0	0	0	0	0	0	0	0	1
PCSource0	0	0	0	0	0	0	0	0	1	0
ALUOp1	0	0	0	0	0	0	1	0	0	0
ALUOp0	0	0	0	0	0	0	0	0	1	0
ALUSrcB1	0	1	1	0	0	0	0	0	0	0
ALUSrcB0	1	1	0	0	0	0	0	0	0	0
ALUSrcA	0	0	1	0	0	0	1	0	1	0
RegWrite	0	0	0	0	1	0	0	1	0	0
RegDst	0	0	0	0	0	0	0	1	0	0

FIGURE C.3.6 The truth table for the 16 datapath control outputs, which depend only on the state inputs. The values are determined from Figure C.3.4. Although there are 16 possible values for the 4-bit state field, only 10 of these are used and are shown here. The 10 possible values are shown at the top; each column shows the setting of the datapath control outputs for the state input value that appears at the top of the column. For example, when the state inputs are 0011 (state 3), the active datapath control outputs are IorD or MemRead.

Control ROM Entries

For what ROM addresses will the bit corresponding to PCWrite, the high bit of the control word, be 1?

EXAMPLE

PCWrite is high in states 0 and 9; this corresponds to addresses with the 4 low-order bits being either 0000 or 1001. The bit will be high in the memory word independent of the inputs Op[5–0], so the addresses with the bit high are 000000000, 000001001, 0000010000, 0000011001, ..., 1111110000, 1111111001. The general form of this is XXXXXX0000 or XXXXXX1001, where XXXXXX is any combination of bits, and corresponds to the 6-bit opcode on which this output does not depend.

ANSWER

We will show the entire contents of the ROM in two parts to make it easier to show. Figure C.3.7 shows the upper 16 bits of the control word; this comes directly from Figure C.3.6. These datapath control outputs depend only on the state inputs, and this set of words would be duplicated 64 times in the full ROM, as we discussed above. The entries corresponding to input values 1010 through 1111 are not used, so we do not care what they contain.

Figure C.3.8 shows the lower 4 bits of the control word corresponding to the next-state outputs. The last column of the table in Figure C.3.8 corresponds to all the possible values of the opcode that do not match the specified opcodes. In state

Lower 4 bits of the address	Bits 19–4 of the word
0000	1001010000001000
0001	0000000000011000
0010	0000000000010100
0011	0011000000000000
0100	0000001000000010
0101	0010100000000000
0110	000000001000100
0111	0000000000000011
1000	0100000010100100
1001	1000000100000000

FIGURE C.3.7 The contents of the upper 16 bits of the ROM depend only on the state inputs. These values are the same as those in Figure C.3.6, simply rotated 90°. This set of control words would be duplicated 64 times for every possible value of the upper 6 bits of the address.

0, the next state is always state 1, since the instruction was still being fetched. After state 1, the opcode field must be valid. The table indicates this by the entries marked illegal; we discuss how to deal with these illegal opcodes in Section 5.6.

Not only is this representation as two separate tables a more compact way to show the ROM contents, it is also a more efficient way to implement the ROM. The majority of the outputs (16 of 20 bits) depend only on 4 of the 10 inputs. The number of bits in total when the control is implemented as two separate ROMs is $2^4 \times 16 + 2^{10} \times 4 = 256 + 4096 = 4.3$ Kbits, which is about one-fifth of the size of a single ROM, which requires $2^{10} \times 20 = 20$ Kbits. There is some overhead associated with any structured-logic block, but in this case the additional overhead of an extra ROM would be much smaller than the savings from splitting the single ROM.

Although this ROM encoding of the control function is simple, it is wasteful, even when divided into two pieces. For example, the values of the Instruction register inputs are often not needed to determine the next state. Thus the next-state ROM has many entries that are either duplicated or are don't care. Consider the case when the machine is in state 0: there are 2^6 entries in the ROM (since the

Current state S[3-0]	Op [5-0]					
	000000 (R-format)	000010 (jmp)	000100 (beq)	100011 (lw)	101011 (sw)	Any other value
0000	0001	0001	0001	0001	0001	0001
0001	0110	1001	1000	0010	0010	illegal
0010	XXXX	XXXX	XXXX	0011	0101	illegal
0011	0100	0100	0100	0100	0100	illegal
0100	0000	0000	0000	0000	0000	illegal
0101	0000	0000	0000	0000	0000	illegal
0110	0111	0111	0111	0111	0111	illegal
0111	0000	0000	0000	0000	0000	illegal
1000	0000	0000	0000	0000	0000	illegal
1001	0000	0000	0000	0000	0000	illegal

FIGURE C.3.8 This table contains the lower 4 bits of the control word (the NS outputs), which depend on both the state inputs, S[3-0], and the opcode, Op [5-0], which correspond to the instruction opcode. These values can be determined from Figure C.3.5. The opcode name is shown under the encoding in the heading. The 4 bits of the control word whose address is given by the current-state bits and Op bits are shown in each entry. For example, when the state input bits are 0000, the output is always 0001, independent of the other inputs; when the state is 2, the next state is don't care for three of the inputs, 3 for lw, and 5 for sw. Together with the entries in Figure C.3.7, this table specifies the contents of the control unit ROM. For example, the word at address 1000110001 is obtained by finding the upper 16 bits in the table in Figure C.3.7 using only the state input bits (0001) and concatenating the lower 4 bits found by using the entire address (0001 to find the row and 100011 to find the column). The entry from Figure C.3.7 yields 0000000000011000, while the appropriate entry in the table immediately above is 0010. Thus the control word at address 1000110001 is 00000000000110000010. The column labeled "Any other value" applies only when the Op bits do not match one of the specified opcodes.

opcode field can have any value), and these entries will all have the same contents (namely, the control word 0001). The reason that so much of the ROM is wasted is that the ROM implements the complete truth table, providing the opportunity to have a different output for every combination of the inputs. But most combinations of the inputs either never happen or are redundant!

A PLA Implementation

We can reduce the amount of control storage required at the cost of using more complex address decoding for the control inputs, which will encode only the input combinations that are needed. The logic structure most often used to do this is a programmed logic array (PLA), which we mentioned earlier and illustrated in Figure C.2.5. In a PLA, each output is the logical OR of one or more minterms. A *minterm*, also called a *product term*, is simply a logical AND of one or more inputs. The inputs can be thought of as the address for indexing the PLA, while the minterms select which of all possible address combinations are interesting. A minterm corresponds to a single entry in a truth table, such as those in Figure C.3.4 on page C-14, including possible don't-care terms. Each output consists of an OR of these minterms, which exactly corresponds to a complete truth table. However, unlike a ROM, only those truth table entries that produce an active output are needed, and only one copy of each minterm is required, even if the minterm contains don't cares. Figure C.3.9 shows the PLA that implements this control function.

As we can see from the PLA in Figure C.3.9, there are 17 unique minterms—10 that depend only on the current state and 7 others that depend on a combination of the Op field and the current-state bits. The total size of the PLA is proportional to $(\#inputs \times \#product\ terms) + (\#outputs \times \#product\ terms)$, as we can see symbolically from the figure. This means the total size of the PLA in Figure C.3.9 is proportional to $(10 \times 17) + (20 \times 17) = 510$. By comparison, the size of a single ROM is proportional to 20 Kbits, and even the two-part ROM has a total of 4.3 Kbits. Because the size of a PLA cell will be only slightly larger than the size of a bit in a ROM, a PLA will be a much more efficient implementation for this control unit.

Of course, just as we split the ROM in two, we could split the PLA in two PLAs: one with four inputs and 10 minterms that generates the 16 control outputs, and one with 10 inputs and 7 minterms that generates the 4 next-state outputs. The first PLA would have a size proportional to $(4 \times 10) + (10 \times 16) = 200$, and the second PLA would have a size proportional to $(10 \times 7) + (4 \times 7) = 98$. This would yield a total size proportional to 298 PLA cells, about 55% of the size of a single PLA. These two PLAs will be considerably smaller than an implementation using two ROMs. For more details on PLAs and their implementation, as well as the references for books on logic design, see [Appendix B](#).

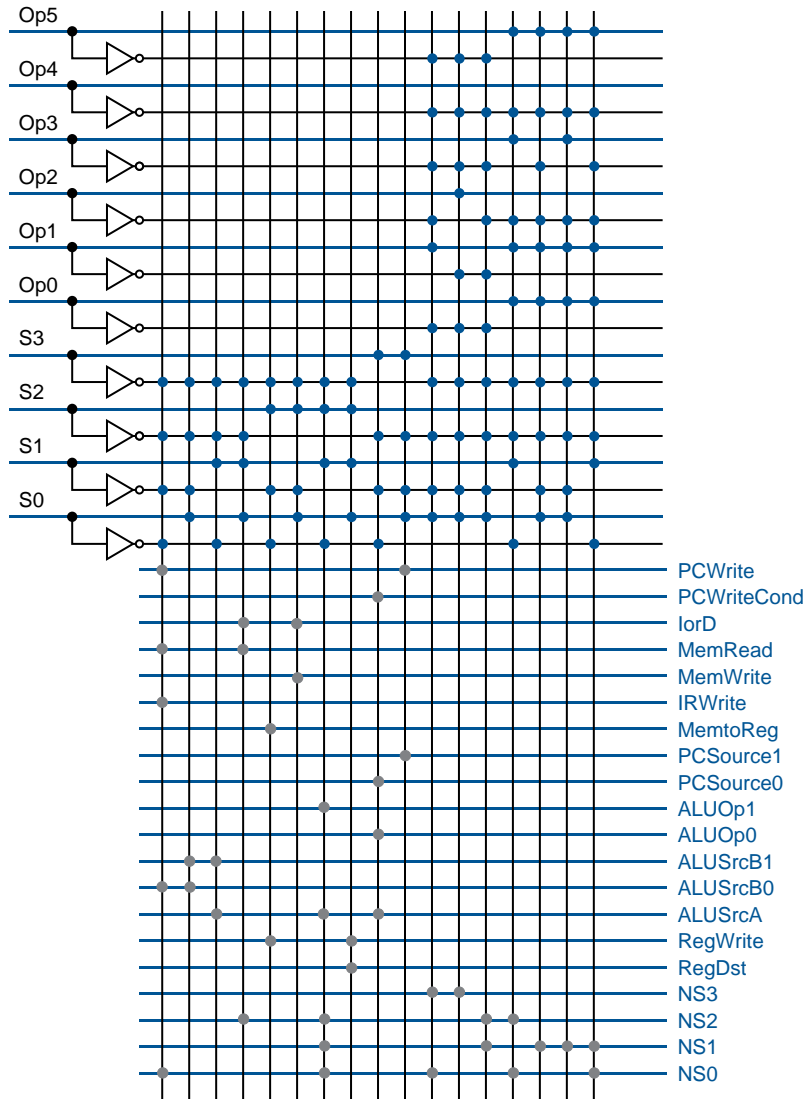


FIGURE C.3.9 This PLA implements the control function logic for the multicycle implementation. The inputs to the control appear on the left and the outputs on the right. The top half of the figure is the AND plane that computes all the minterms. The minterms are carried to the OR plane on the vertical lines. Each colored dot corresponds to a signal that makes up the minterm carried on that line. The sum terms are computed from these minterms, with each grey dot representing the presence of the intersecting minterm in that sum term. Each output consists of a single sum term.

C.4**Implementing the Next-State Function with a Sequencer**

Let's look carefully at the control unit we built in the last section. If you examine the ROMs that implement the control in Figures C.3.7 and C.3.8, you can see that much of the logic is used to specify the next-state function. In fact, for the implementation using two separate ROMs, 4096 out of the 4368 bits (94%) correspond to the next-state function! Furthermore, imagine what the control logic would look like if the instruction set had many more different instruction types, some of which required many clocks to implement. There would be many more states in the finite state machine. In some states, we might be branching to a large number of different states depending on the instruction type (as we did in state 1 of the finite state machine in Figure C.3.1 on page C-9). However, many of the states would proceed in a sequential fashion, just as states 3 and 4 do in Figure C.3.1.

For example, if we included floating point, we would see a sequence of many states in a row that implement a multicycle floating-point instruction. Alternatively, consider how the control might look for a machine that can have multiple memory operands per instruction. It would require many more states to fetch multiple memory operands. The result of this would be that the control logic will be dominated by the encoding of the next-state function. Furthermore, much of the logic will be devoted to sequences of states with only one path through them that look like states 2 through 4 in Figure C.3.1. With more instructions, these sequences will consist of many more sequentially numbered states than for our simple subset.

To encode these more complex control functions efficiently, we can use a control unit that has a counter to supply the sequential next state. This counter often eliminates the need to encode the next-state function explicitly in the control unit. As shown in Figure C.4.1, an adder is used to increment the state, essentially turning it into a counter. The incremented state is always the state that follows in numerical order. However, the finite state machine sometimes "branches." For example, in state 1 of the finite state machine (see Figure C.3.1 on page C-9), there are four possible next states, only one of which is the sequential next state. Thus, we need to be able to choose between the incremented state and a new state based on the inputs from the Instruction register and the current state. Each control word will include control lines that will determine how the next state is chosen.

It is easy to implement the control output signal portion of the control word, since, if we use the same state numbers, this portion of the control word will look exactly like the ROM contents shown in Figure C.3.7 on page C-17. However, the

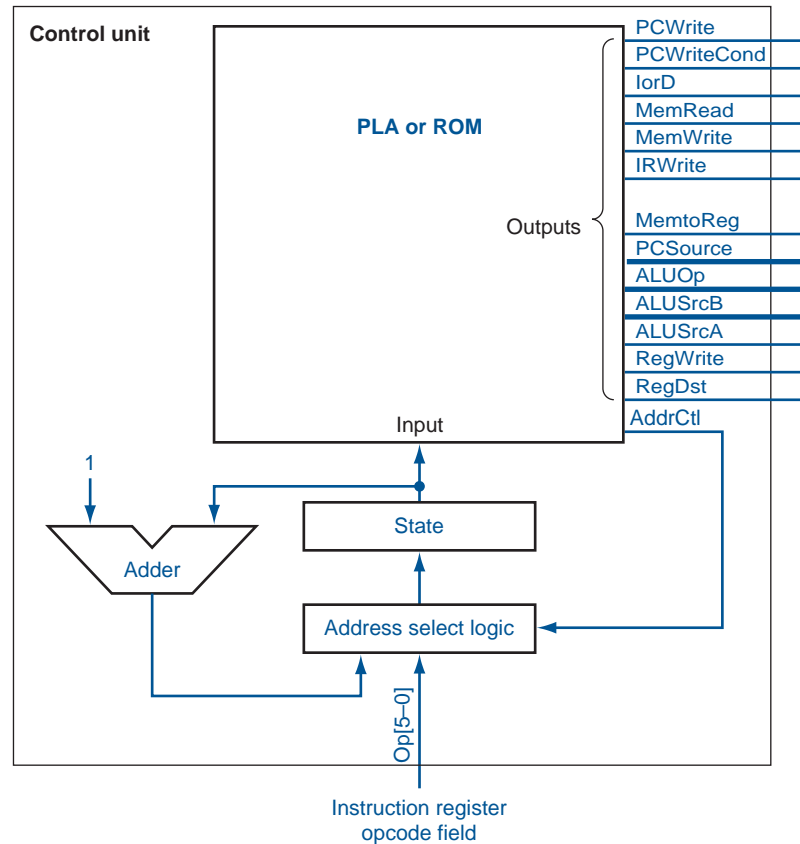


FIGURE C.4.1 The control unit using an explicit counter to compute the next state. In this control unit, the next state is computed using a counter (at least in some states). By comparison, Figure C.3.2 on page C-10 encodes the next state in the control logic for every state. In this control unit, the signals labeled *AddrCtl* control how the next state is determined.

method for selecting the next state differs from the next-state function in the finite state machine.

With an explicit counter providing the sequential next state, the control unit logic need only specify how to choose the state when it is not the sequentially following state. There are two methods for doing this. The first is a method we have already seen: namely, the control unit explicitly encodes the next-state function. The difference is that the control unit need only set the next-state lines when the designated next state is not the state that the counter indicates. If the number of

states is large and the next-state function that we need to encode is mostly empty, this may not be a good choice, since the resulting control unit will have lots of empty or redundant space. An alternative approach is to use separate external logic to specify the next state when the counter does not specify the state. Many control units, especially those that implement large instruction sets, use this approach, and we will focus on specifying the control externally.

Although the nonsequential next state will come from an external table, the control unit needs to specify when this should occur and how to find that next state. There are two kinds of “branching” that we must implement in the address select logic. First, we must be able to jump to one of a number of states based on the opcode portion of the Instruction register. This operation, called a *dispatch*, is usually implemented by using a set of special ROMs or PLAs included as part of the address selection logic. An additional set of control outputs, which we call *AddrCtl*, indicates when a dispatch should be done. Looking at the finite state diagram (Figure C.3.1 on page C-9), we see that there are two states in which we do a branch based on a portion of the opcode. Thus we will need two small dispatch tables. (Alternatively, we could also use a single dispatch table and use the control bits that select the table as address bits that choose which portion of the dispatch table to select the address from.)

The second type of branching that we must implement consists of branching back to state 0, which initiates the execution of the next MIPS instruction. Thus there are four possible ways to choose the next state (three types of branches, plus incrementing the current-state number), which can be encoded in 2 bits. Let’s assume that the encoding is as follows:

AddrCtl value	Action
0	Set state to 0
1	Dispatch with ROM 1
2	Dispatch with ROM 2
3	Use the incremented state

If we use this encoding, the address select logic for this control unit can be implemented as shown in Figure C.4.2.

To complete the control unit, we need only specify the contents of the dispatch ROMs, and the values of the address-control lines for each state. We have already specified the datapath control portion of the control word using the ROM contents of Figure C.3.7 on page C-17 (or the corresponding portions of the PLA in Figure C.3.9 on page C-20). The next-state counter and dispatch ROMs take the place of the portion of the control unit that was computing the next state, which was shown in Figure C.3.8 on page C-18. We are only implementing a portion of

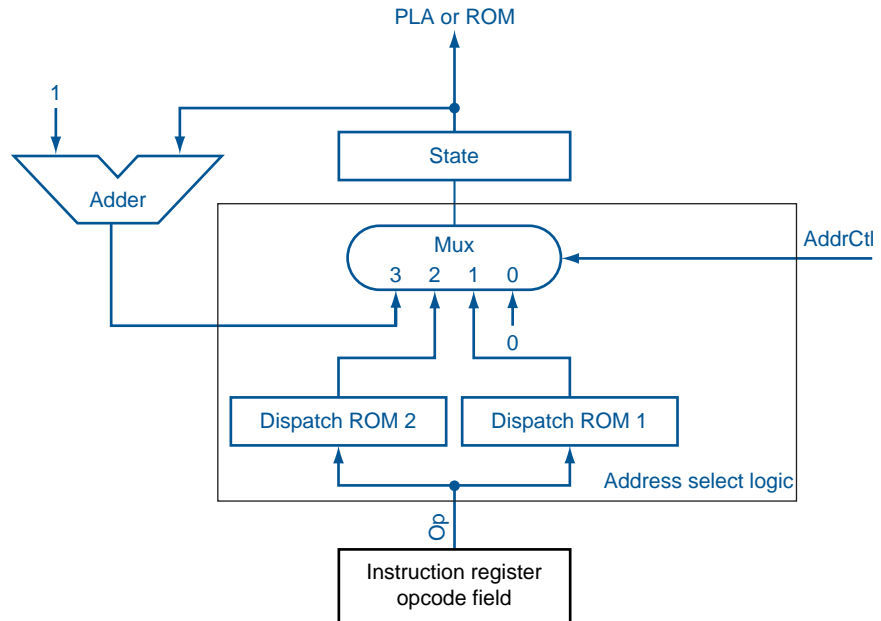


FIGURE C.4.2 This is the address select logic for the control unit of Figure C.4.1.

the instruction set, so the dispatch ROMs will be largely empty. Figure C.4.3 shows the entries that must be assigned for this subset. Section 5.6 of Chapter 5 discusses what to do with the entries in the dispatch ROMs that do not correspond to any instruction.

Dispatch ROM 1			Dispatch ROM 2		
Op	Opcode name	Value	Op	Opcode name	Value
000000	R-format	0110	100011	lw	0011
000010	jmp	1001	101011	sw	0101
000100	beq	1000			
100011	lw	0010			
101011	sw	0010			

FIGURE C.4.3 The dispatch ROMs each have $2^6 = 64$ entries that are 4 bits wide, since that is the number of bits in the state encoding. This figure only shows the entries in the ROM that are of interest for this subset. The first column in each table indicates the value of Op, which is the address used to access the dispatch ROM. The second column shows the symbolic name of the opcode. The third column indicates the value at that address in the ROM.

State number	Address-control action	Value of AddrCtl
0	Use incremented state	3
1	Use dispatch ROM 1	1
2	Use dispatch ROM 2	2
3	Use incremented state	3
4	Replace state number by 0	0
5	Replace state number by 0	0
6	Use incremented state	3
7	Replace state number by 0	0
8	Replace state number by 0	0
9	Replace state number by 0	0

FIGURE C.4.4 The values of the address-control lines are set in the control word that corresponds to each state.

Now we can determine the setting of the address selection lines (AddrCtl) in each control word. The table in Figure C.4.4 shows how the address control must be set for every state. This information will be used to specify the setting of the AddrCtl field in the control word associated with that state.

The contents of the entire control ROM are shown in Figure C.4.5. The total storage required for the control is quite small. There are 10 control words, each 18 bits wide, for a total of 180 bits. In addition, the two dispatch tables are 4 bits wide and each has 64 entries, for a total of 512 additional bits. This total of 692 bits beats the implementation that uses two ROMs with the next-state function encoded in the ROMs (which requires 4.3 Kbits).

Of course, the dispatch tables are sparse and could be more efficiently implemented with two small PLAs. The control ROM could also be replaced with a PLA.

State number	Control word bits 17-2	Control word bits 1-0
0	1001010000001000	11
1	0000000000011000	01
2	0000000000010100	10
3	0011000000000000	11
4	0000001000000010	00
5	0010100000000000	00
6	0000000001000100	11
7	0000000000000011	00
8	0100000010100100	00
9	1000000100000000	00

FIGURE C.4.5 The contents of the control memory for an implementation using an explicit counter. The first column shows the state, while the second shows the datapath control bits, and the last column shows the address-control bits in each control word. Bits 17-2 are identical to those in Figure C.3.7.

Optimizing the Control Implementation

We can further reduce the amount of logic in the control unit by two different techniques. The first is *logic minimization*, which uses the structure of the logic equations, including the don't-care terms, to reduce the amount of hardware required. The success of this process depends on how many entries exist in the truth table, and how those entries are related. For example, in this subset, only the lw and sw opcodes have an active value for the signal $Op5$, so we can replace the two truth table entries that test whether the input is lw or sw by a single test on this bit; similarly we can eliminate several bits used to index the dispatch ROM because this single bit can be used to find lw and sw in the first dispatch ROM. Of course, if the opcode space were less sparse, opportunities for this optimization would be more difficult to locate. However, in choosing the opcodes, the architect can provide additional opportunities by choosing related opcodes for instructions that are likely to share states in the control.

A different sort of optimization can be done by assigning the state numbers in a finite state or microcode implementation to minimize the logic. This optimization, called *state assignment*, tries to choose the state numbers such that the resulting logic equations contain more redundancy and can thus be simplified. Let's consider the case of a finite state machine with an encoded next-state control first, since it allows states to be assigned arbitrarily. For example, notice that in the finite state machine the signal $RegWrite$ is active only in states 4 and 7. If we encoded those states as 8 and 9, rather than 4 and 7, we could rewrite the equation for $RegWrite$ as simply a test on bit $S3$ (which is only on for states 8 and 9). This renumbering allows us to combine the two truth table entries in part (o) of Figure C.3.4 on page C-14 and replace them with a single entry, eliminating one term in the control unit. Of course, we would have to renumber the existing states 8 and 9, perhaps as 4 and 7.

The same optimization can be applied in an implementation that uses an explicit program counter, though we are more restricted. Because the next-state number is often computed by incrementing the current-state number, we cannot arbitrarily assign the states. However, if we keep the states where the incremented state is used as the next state in the same order, we can reassign the consecutive states as a block. In an implementation with an explicit next-state counter, state assignment may allow us to simplify the contents of the dispatch ROMs.

If we look again at the control unit in Figure C.4.1 on page C-22, it looks remarkably like a computer in its own right. The ROM or PLA can be thought of as memory supplying instructions for the datapath. The state can be thought of as an instruction address. Hence the origin of the name *microcode* or *microprogrammed control*. The control words are thought of as *microinstructions* that control the datapath, and the State register is called the *microprogram counter*. Figure C.4.6 shows a view of the control unit as *microcode*. The next section describes how we map from a microprogram to microcode.

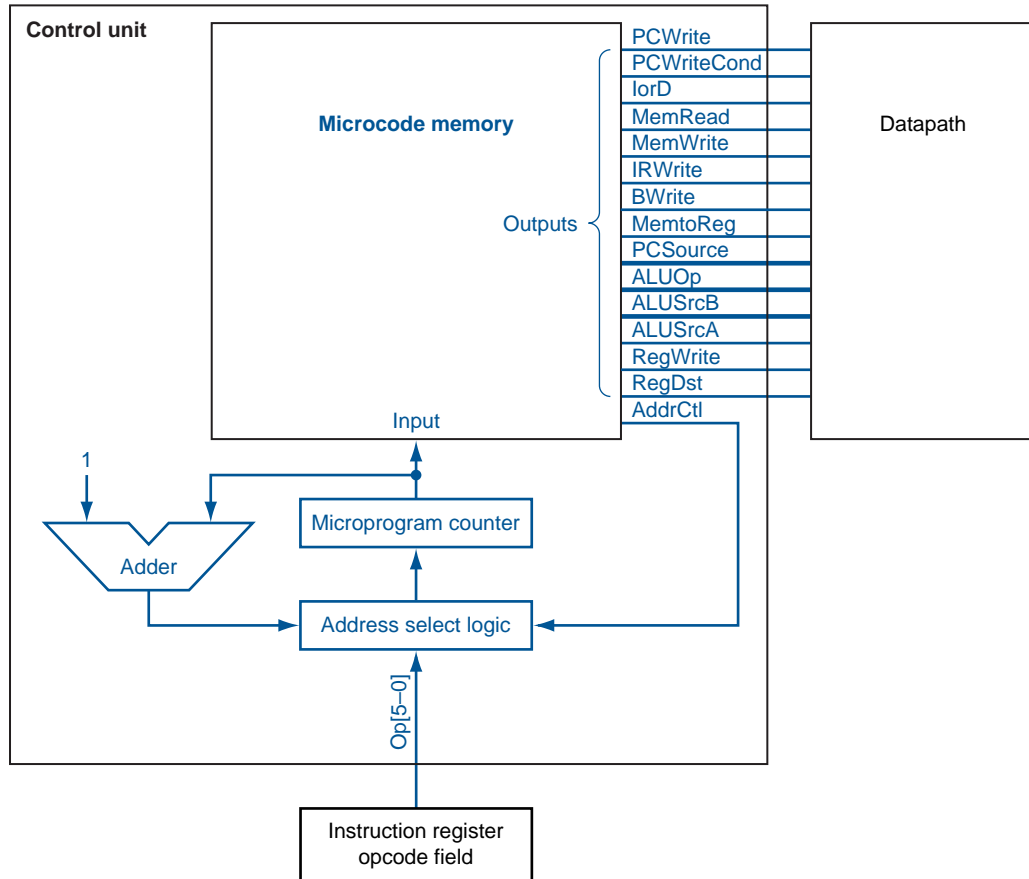


FIGURE C.4.6 The control unit as a microcode. The use of the word “micro” serves to distinguish between the program counter in the datapath and the microprogram counter, and between the microcode memory and the instruction memory.

C.5 Translating a Microprogram to Hardware

To translate the microprogram of Section 5.5 into actual hardware, we need to specify how each field translates into control signals. We can implement the microprogram with either finite state control or a microcode implementation with an explicit sequencer. If we choose a finite state machine, we need to construct the next-state function from the microprogram. Once this function is

known, we can map a set of truth table entries for the next-state outputs. In this section, we will show how to translate the microprogram assuming that the next state is specified by a sequencer. From the truth tables we will construct, it would be straightforward to build the next-state function for a finite state machine.

Field name	Value	Signals active	Comment
ALU control	Add	ALUOp = 00	Cause the ALU to add.
	Subt	ALUOp = 01	Cause the ALU to subtract; this implements the compare for branches.
	Func code	ALUOp = 10	Use the instruction's function code to determine ALU control.
SRC1	PC	ALUSrcA = 0	Use the PC as the first ALU input.
	A	ALUSrcA = 1	Register A is the first ALU input.
SRC2	B	ALUSrcB = 00	Register B is the second ALU input.
	4	ALUSrcB = 01	Use 4 as the second ALU input.
	Extend	ALUSrcB = 10	Use output of the sign extension unit as the second ALU input.
	Extshft	ALUSrcB = 11	Use the output of the shift-by-two unit as the second ALU input.
Register control	Read		Read two registers using the rs and rt fields of the IR as the register numbers and putting the data into registers A and B.
	Write ALU	RegWrite, RegDst = 1, MemtoReg = 0	Write a register using the rd field of the IR as the register number and the contents of ALUOut as the data.
	Write MDR	RegWrite, RegDst = 0, MemtoReg = 1	Write a register using the rt field of the IR as the register number and the contents of the MDR as the data.
Memory	Read PC	MemRead, lorD = 0, IRWrite	Read memory using the PC as address; write result into IR (and the MDR).
	Read ALU	MemRead, lorD = 1	Read memory using ALUOut as address; write result into MDR.
	Write ALU	MemWrite, lorD = 1	Write memory using the ALUOut as address, contents of B as the data.
PC write control	ALU	PCSource = 00, PCWrite	Write the output of the ALU into the PC.
	ALUOut-cond	PCSource = 01, PCWriteCond	If the Zero output of the ALU is active, write the PC with the contents of the register ALUOut.
	jump address	PCSource = 10, PCWrite	Write the PC with the jump address from the instruction.
Sequencing	Seq	AddrCtl = 11	Choose the next microinstruction sequentially.
	Fetch	AddrCtl = 00	Go to the first microinstruction to begin a new instruction.
	Dispatch 1	AddrCtl = 01	Dispatch using the ROM 1.
	Dispatch 2	AddrCtl = 10	Dispatch using the ROM 2.

FIGURE C.5.1 Each microcode field translates to a set of control signals to be set. This table specifies a value for each of the fields that were originally specified in Figure 5.7.3 on page 5.7-10. These 22 different values of the fields specify all the required combinations of the 18 control lines. Control lines that are not set which correspond to actions are 0 by default. Multiplexor control lines are set to 0 if the output matters. If a multiplexor control line is not explicitly set, its output is a don't care and is not used.

Assuming an explicit sequencer, we need to do two additional tasks to translate the microprogram: assign addresses to the microinstructions and fill in the contents of the dispatch ROMs. This process is essentially the same as the process of translating an assembly language program into machine instructions: the fields of the assembly language or microprogram instruction are translated, and labels on the instructions must be resolved to addresses.

Figure C.5.1 shows the various values for each microinstruction field that controls the datapath and how these fields are encoded as control signals. If the field corresponding to a signal that affects a unit with state (i.e., Memory, Memory register, ALU destination, or PCWriteControl) is blank, then no control signal should be active. If a field corresponding to a multiplexor control signal or the ALU operation control (i.e., ALUOp, SRC1, or SRC2) is blank, the output is unused, so the associated signals may be set as don't care.

The sequencing field can have four values: Fetch (meaning go to the Fetch state), Dispatch 1, Dispatch 2, and Seq. These four values are encoded to set the 2-bit address control just as they were in Figure C.4.4 on page C-25: Fetch = 0, Dispatch 1 = 1, Dispatch 2 = 2, Seq = 3. Finally, we need to specify the contents of the dispatch tables to relate the dispatch entries of the sequence field to the symbolic labels in the microprogram. We use the same dispatch tables as we did earlier in Figure C.4.3 on page C-24.

A microcode assembler would use the encoding of the sequencing field, the contents of the symbolic dispatch tables in Figure C.5.2, the specification in Figure C.5.1, and the actual microprogram in Figure 5.7.3 on page 5.7-10 to generate the microinstructions.

Since the microprogram is an abstract representation of the control, there is a great deal of flexibility in how the microprogram is translated. For example, the address assigned to many of the microinstructions can be chosen arbitrarily; the only restrictions are those imposed by the fact that certain microinstructions must occur in sequential order (so that incrementing the State register generates the

Microcode dispatch table 1			Microcode dispatch table 2		
Opcode field	Opcode name	Value	Opcode field	Opcode name	Value
000000	R-format	Rformat1	100011	lw	LW2
000010	jmp	JUMP1	101011	sw	SW2
000100	beq	BEQ1			
100011	lw	Mem1			
101011	sw	Mem1			

FIGURE C.5.2 The two microcode dispatch ROMs showing the contents in symbolic form and using the labels in the microprogram.

address of the next instruction). Thus the microcode assembler may reduce the complexity of the control by assigning the microinstructions cleverly.

Organizing the Control to Reduce the Logic

For a machine with complex control, there may be a great deal of logic in the control unit. The control ROM or PLA may be very costly. Although our simple implementation had only an 18-bit microinstruction (assuming an explicit sequencer), there have been machines with microinstructions that are hundreds of bits wide. Clearly, a designer would like to reduce the number of microinstructions and the width.

The ideal approach to reducing control store is to first write the complete microprogram in a symbolic notation and then measure how control lines are set in each microinstruction. By taking measurements we are able to recognize control bits that can be encoded into a smaller field. For example, if no more than one of eight lines is set simultaneously in the same microinstruction, then this subset of control lines can be encoded into a 3-bit field ($\log_2 8 = 3$). This change saves 5 bits in every microinstruction and does not hurt CPI, though it does mean the extra hardware cost of a 3-to-8 decoder needed to generate the eight control lines when they are required at the datapath. It may also have some small clock cycle impact, since the decoder is in the signal path. However, shaving 5 bits off control store width will usually overcome the cost of the decoder, and the cycle time impact will probably be small or nonexistent. For example, this technique can be applied to bits 13–6 of the microinstructions in this machine, since only 1 bit of the 7 bits of the control word is ever active (see Figure C.4.5 on page C-25).

This technique of reducing field width is called *encoding*. To further save space, control lines may be encoded together if they are only occasionally set in the same microinstruction; two microinstructions instead of one are then required when both must be set. As long as this doesn't happen in critical routines, the narrower microinstruction may justify a few extra words of control store.

Microinstructions can be made narrower still if they are broken into different formats and given an opcode or *format field* to distinguish them. The format field gives all the unspecified control lines their default values, so as not to change anything else in the machine, and is similar to the opcode of an instruction in a more powerful instruction set. For example, we could use a different format for microinstructions that did memory accesses from those that did register-register ALU operations, taking advantage of the fact that the memory access control lines are not needed in microinstructions controlling ALU operations.

Reducing hardware costs by using format fields usually has an additional performance cost beyond the requirement for more decoders. A microprogram using a single microinstruction format can specify any combination of operations in a datapath and can take fewer clock cycles than a microprogram made up of

restricted microinstructions that cannot perform any combination of operations in a single microinstruction. However, if the full capability of the wider microprogram word is not heavily used, then much of the control store will be wasted, and the machine could be made smaller and faster by restricting the microinstruction capability.

The narrow, but usually longer, approach is often called *vertical microcode*, while the wide but short approach is called *horizontal microcode*. It should be noted that the terms “vertical microcode” and “horizontal microcode” have no universal definition—the designers of the 8086 considered its 21-bit microinstruction to be more horizontal than other single-chip computers of the time. The related terms *maximally encoded* and *minimally encoded* are probably better than vertical and horizontal.

C.6 Concluding Remarks

We began this appendix by looking at how to translate a finite state diagram to an implementation using a finite state machine. We then looked at explicit sequencers that use a different technique for realizing the next-state function. Although large microprograms are often targeted at implementations using this explicit next-state approach, we can also implement a microprogram with a finite state machine. As we saw, both ROM and PLA implementations of the logic functions are possible. The advantages of explicit versus encoded next state and ROM versus PLA implementation are summarized below.

Independent of whether the control is represented as a finite state diagram or as a microprogram, translation to a hardware control implementation is similar. Each state or microinstruction asserts a set of control outputs and specifies how to choose the next state.

The next-state function may be implemented by either encoding it in a finite state machine or by using an explicit sequencer. The explicit sequencer is more efficient if the number of states is large and there are many sequences of consecutive states without branching.

The control logic may be implemented with either ROMs or PLAs (or even a mix). PLAs are more efficient unless the control function is very dense. ROMs may be appropriate if the control is stored in a separate memory, as opposed to within the same chip as the datapath.

**The BIG
Picture**

C.7 Exercises

C.1 [10] <§C.2> Instead of using 4 state bits to implement the finite state machine in Figure C.3.1 on page C-9, use 9 state bits, each of which is a 1 only if the finite state machine is in that particular state (e.g., S1 is 1 in state 1, S2 is 1 in state 2, etc.). Redraw the PLA (Figure C.3.9 on page C-20).

C.2 [5] <§C.3> How many product terms are required in a PLA that implements the single-cycle datapath for `jal`, assuming the control additions described in Exercise 5.20 in [For More Practice?](#)

C.3 [5] <§C.3> How many product terms are required in a PLA that implements the single-cycle datapath and control for `addiu`, assuming that the control additions you needed were found in Exercise 5.19 in [For More Practice?](#)

C.4 [10] <§C.3> Determine the number of product terms in a PLA that implements the finite state machine for `jal` constructed in Exercise 5.56 in [For More Practice](#). The easiest method to do this is to construct the truth tables for any new outputs or any outputs affected by the addition.

C.5 [10] <§C.3> Determine the number of product terms in a PLA that implements the finite state machine for `addi` in Exercise 5.19 in [For More Practice](#). The easiest way to do this is to construct the additions to the truth tables for `addi`.

C.6 [20] <§C.4> Implement the finite state machine of Exercise 5.19 in the [For More Practice](#) section using an explicit counter to determine the next state. Fill in the new entries for the additions to Figure C.4.5 on page C-25. Also, add any entries needed to the dispatch ROMs of Figure C.5.2 on page C-29.

C.7 [15] <§§C.3–C.6> Determine the size of the PLAs needed to implement the multicycle machine of Chapter 5 assuming that the next-state function is implemented with a counter. Implement the dispatch tables of Figure C.5.2 on page C-29 using two PLAs, and the contents of the main control unit in Figure C.4.5 on page C-25 using another PLA. How does the total size of this solution compare to the single PLA solution with the next state encoded? What if the main PLAs for both approaches are split into two separate PLAs by factoring out the next state or address select signals?

